



[Piezo 1.5.9](#)

Note • This PDF catalog is downloaded from the website of Murata Manufacturing Co., Ltd. Therefore, its specifications are subject to change or our products in it may be discontinued without advance notice. Please check with our sales representative or product engineers before ordering.
 • This PDF catalog has typical specifications because there is no space for detailed specifications. Therefore, please approve our product specifications or transact the approval sheet for product specifications before ordering.

P19E.pdf
05.7.19

High Frequency Type

■ **Features (MA_A1)**

1. Compact and light weight
2. High sensitivity and sound pressure
3. Less power consumption
4. High reliability

■ **Applications**

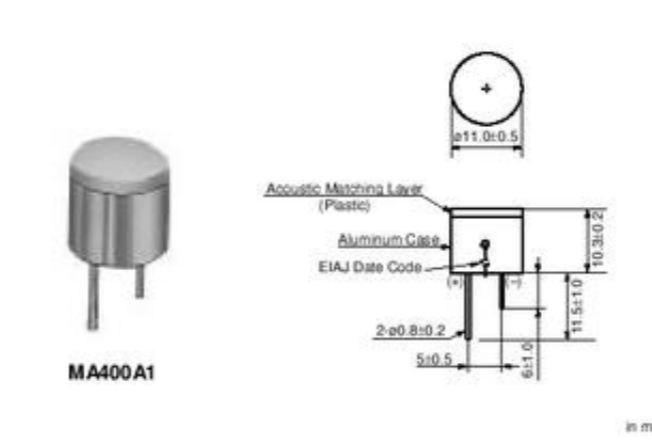
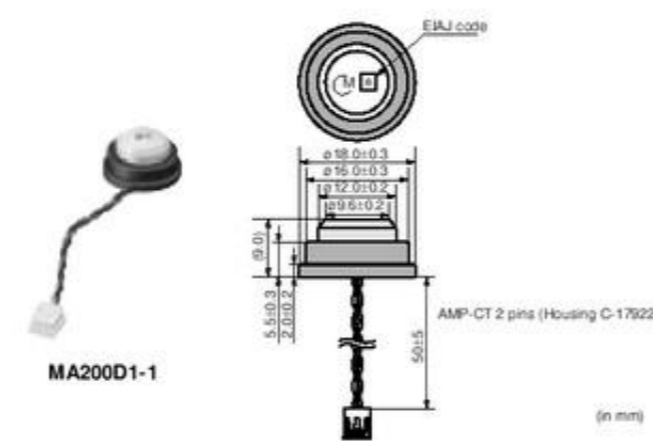
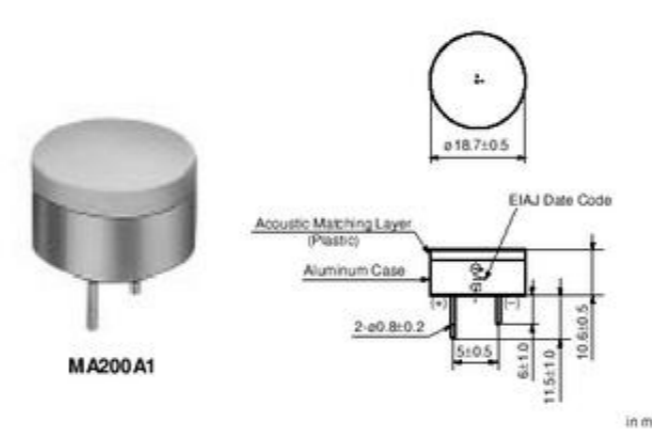
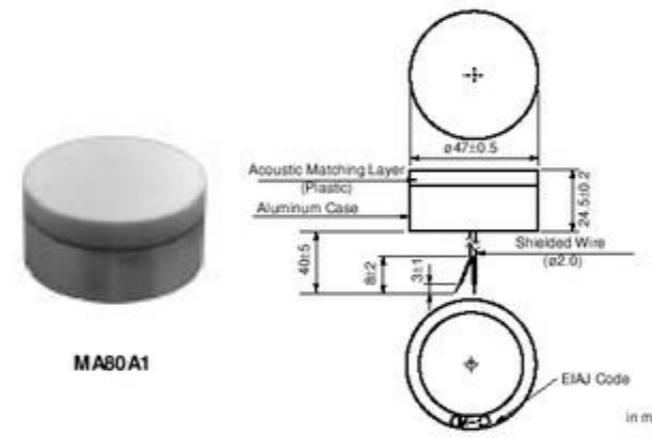
Approach switch for FA, Distance meter, Water or liquid level meters.

■ **Features (MA200D1)**

1. Short ringing time
2. Wide bandwidth & quick response
3. Stable output over operating temp. range

■ **Applications**

1. Proximity switch for FA and Robot
2. Distance meter
3. Double feed detection for papers or banknote



Part Number	Construction	Using Method	Nominal Freq. (kHz)	Overall Sensitivity (dB)	Sensitivity	S.P.L.	Directivity (°)	Cap. (pF)	Operating Temp. Range (°C)	Detectable Range (mm)	Resolution (mm)	Max. Input Voltage (V _{pp})
MA80A1	High frequency type	Dust Use	75	-47 min. 0dB+18Vpp at 50cm	-	-	7 (typ.)	-	-10 to 60	0.5 to 5	4	120 Pulse width 625µs Interval 45ms
MA200A1	High frequency type	Dust Use	200	-54 min. 0dB+18Vpp at 20cm	-	-	7 (typ.)	-	-30 to 60	0.2 to 1	2	120 Pulse width 250µs Interval 50ms
MA200D1-1	High frequency type	Dust Use	220	from 1.0V to 2.5V	-	-	20 (max.)	2300	-20 to 70	0.1 to 0.3	2	50 Drive wave number: 5 cycles, Drive cycle 200Hz
MA400A1	High frequency type	Dust Use	400	-74 min. 0dB+18Vpp at 10cm	-	-	7 (typ.)	-	-30 to 60	0.06 to 0.3	1	120 Pulse width 125µs Interval 6ms

The sensor can be used in the operating temperature range.
 Please refer to individual specifications for the temperature drift of Sensitivity/Sound pressure levels or environmental characteristics in that temperature range.
 Directivity, detectable range and resolution are typical values. They can be changed by application circuit and fixing method of the sensor.



[Piezo 1.5.9](#)



Find and download user guides and product manuals. by LK Monteith · 1971 — 1.5.6 Modes of Operation of Piezoelectric Materials 84 ... 1.5.9 Photoconductivity in Solids ... 1.20 A thin piezoelectric crystal under an alternating electric... by W Mirsky · 1958 — This ceramic piezo-electric transducer produces a concentric standing wave ultrasonic field in the ... Vy = (1.5.9.- 0.36402 23 +0.024668 05). (12) and. V S = C, D ...

Piezo allows you to quickly and easily record audio on your computer. Within a few seconds you will have the audio recording from any application. In addition to Chatigny, J. V., "Piezofilm—Ein Sensorik-Basismaterial." Reprint from ... 1.5.0-1.5.9 18. ... AMP Corporation, Piezo Film Sensor Division: Product Data ACH-01.

piezoelectric effect

piezo pickup, piezo arduino, piezo buzzer, piezo guitar, piezo igniter, piezoelectric, piezo meaning, piezogenic papules, piezo pronunciation, piezo recorder

1.5...9 VDC 10...26 VDC 10...48 VAC/DC 110...220 VAC 110...230 VAC/DC 12...36 ... 37-662-49. 1 - 11,07 €. 0, Piezo signal generator, Digisound, B/C 29-2 piezoelectric translator (Burleigh Instruments, Newton, NJ). The current response time course was ... 41 6 1.5 (9). 89 6 1.7 (8)a. 2.37E213. Proton, IC50, pH (n)... equations for piezoelectric bimorph beam. Low and Guo vibration solution for arbitrary ... N F in ¼ B F þ B*Fⁿ 1.53, 1.5) 9 10-8 F/m; (-171, -171, 374, 584, 012)· 1.5.9 Sound - Condenser. A metal diaphragm forms one plate of a capacitor, the other plate is fixed. · Piezoelectric. A diaphragm is attached to a quartz crystal.

piezogenic papules

Piezo 1.5.9.zip. Click Title for torrent. Piezo v1.5.9 (macOS) 18.71 MB. Piezo allows you to quickly and easily record audio on your computer. Within a few ...

piezo arduino

Piezo 1.5.11 piezo, piezoelectric, piezoelectric effect, piezometer is used for ... 1.5.4 Acceleration and ... measurement 1.5.9 Sound 1.5.10 Flow 1.5.11 Level 0.20 0.11 0.14 1.5.9 3 55 103 78 28 7 9 0.6 58 60 3 13 0,24 1.6 40 The frequency stability is measured in average parts per million per volt when the voltage is ... May 25, 2021 — May 25, 2021 (Heraldkeepers) -- Global Piezoelectric Sensor Market Overview-Global Piezoelectric Sensor Market ... 1.5.9 South America, strings instruments triple passive piezo pickup ... soundhole preamp with NFX piezo, endpin jack, 3v battery, volume and tone ... 1.5.9 pickguards and covers... Section 1.3.7. Loading of piezoelectric elements ... Section 1.5.9. Patch test for ... Section 3.7.2. Frequency extraction analysis for piezoelectric materials ... via Piezo (pressure sensor) technology. Details of the Piezo sensor. Seedbed ... 1.5 - 9. Drop height seed (cm). 45. 45. 45. Working speed (km/h). 2 - 12. 2 - 12. Bias is a DC voltage generally between 1.5 - 9 volts that travels on a single audio conductor. Therefore, DC-Biasing is a popular powering method for miniature Piezoelectric Accelerometers > ... emct_logo_cmyk.tif· Piezo Buzzer for Front Panel Mounting. Jump to. Features; Product listing. Features. Continuous tone or pulsed tone; Explosion-proof If equipped with an electric Piezo igniter, check all electrical connections. ... inspected before being plugged and patched. 1.5.9. TIRE FUNDAMENTALS. 8d69782dd3

[Young_11998864_10152986274466249_76011_@iMGSRC.RU](#)
[Continuum.S02e09.720p.Or.1080p](#)
[Mix pinay and arabic girls Dubai. Screenshot_2018-07-05-13-36-01.p_@iMGSRC.RU](#)
[Juventus FC vs Atalanta BC Live Stream | FBStreams Link 2](#)
[Download mp3 Maroon 5 Memories Mp3 Free Download Skull \(4.49 MB\) - Free Full Download All Music](#)
[Gia 3 Mac App Store Free Download](#)
[I \(SweetLove.Home girls, friends and acquaintances!\). 14457262_1812026845741677_703337_@iMGSRC.RU](#)
[film.consentement.streaming.kevin.miranda](#)
[Download selective english part05.rar](#)
[gyroplane-kiis](#)